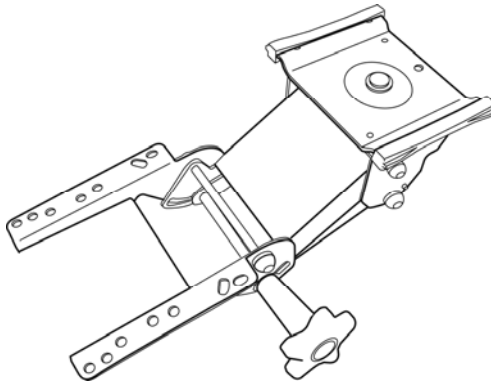




Installation Instructions **23150GS Atlas Arm – non retractable**



(Arm shown has glide clips that will be removed for non-retractable installations)

- 1) Attach Keyboard Platform:
Align the holes in the arm with the center back of the platform and attach with 4-6 wood screws (for 5/8" thick platforms) or 4 bolts and nuts (for 1/4" thick platforms).
- 2) Attach Keyboard Arm to desk with 4 wood screws provided. Set-back from work surface should be 1/4". You may have to rotate the mounting head of the Arm to access all four holes in the keyboard Arm.

For further questions, please call Grand Stands, Inc. at 1-800-831-2150