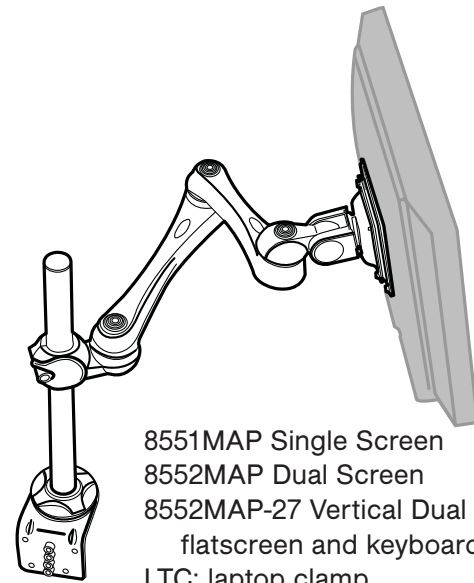


Grand Stands:

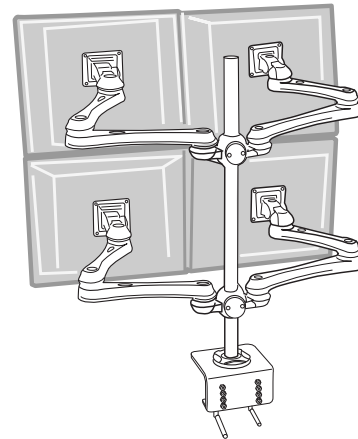
ERGOFlex Flat Screen Monitor Support

- Offers three points of articulation.
- 19" Front to back focal adjustment and side to side movement
- 16" vertical post provides 13" of height range; (Quad has 27½" pole)
- Available in silver only
- Clamp is standard, optional grommet mount available; specify



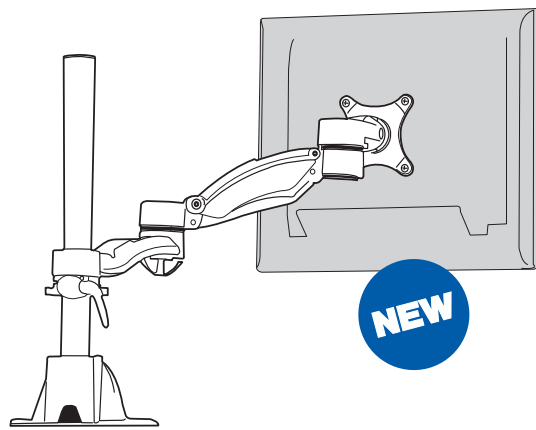
8551MAP Single Screen
 8552MAP Dual Screen
 8552MAP-27 Vertical Dual support for
 flatscreen and keyboard / laptop
 LTC: laptop clamp
 8553MAP Triple Screen
 8554MAP Quad Screen

List **340.00**
 List **490.00**
 List **510.00**
 List **110.00**
 List **590.00**
 List **850.00**



ProERGOFlex Flat Screen Monitor Support

- 18" pole provides 13" of height range
- One spring assisted height segment offers 6" adjustment
- Single arm extends 20" from pole
- Dual ProERGOFlex has two independently adjustable arms on a single pole
- Desk clamp and grommet mount hardware included
- Standard color is Silver. Black finish available: please specify
- VESA compliant



8561MAP Single Screen List **460.00**
 8562MAP Dual Screen List **780.00**

METRO Monitor Support

- Die-cast aluminum in silver finish
- 6" Integral gas-spring height adjustment (from 13" to 19")
- Extends 18" from mounting point
- Supports monitors from 2 - 17 lbs.
- Monitor quick-release feature
- Standard clamp mount, optional grommet mount available, please specify
- VESA compliant

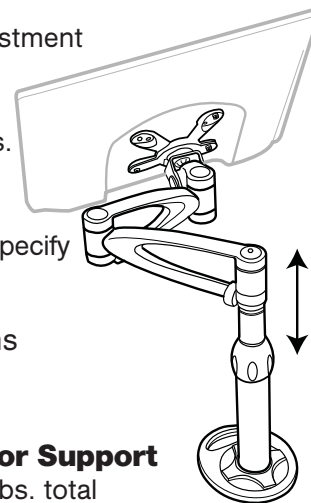
8650MA-SD for 2 - 17 lb. screens

List: **375.00**

8652MS-HD Dual Metro Monitor Support

- Supports two monitors up to 33 lbs. total
- Standard desk clamp, optional grommet mount; please specify

List: **550.00**

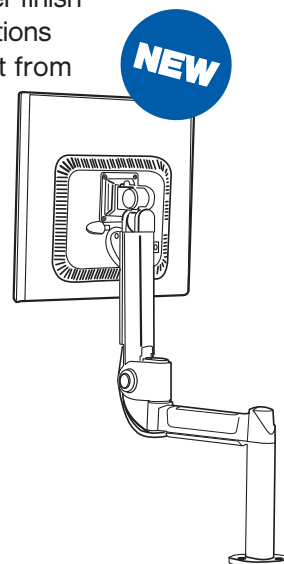


SOLOFlex Monitor Support

- Die-cast aluminum in silver finish
- Ideal for sit-stand applications
- Adjusts up to 24½" height from surface
- Extends out to 25"
- Supports monitors from 4½ - 17 ½ lbs.
- Standard clamp mount, optional grommet mount available, please specify

8660MA

List: **450.00**



Flat Screen Monitor Supports

NOVA Flat Screen Arm

- Light weight aluminum construction, silver finish
- Gas spring for effortless positioning
- 23" extended reach and 17" height adjustment allows user to sit or stand
- Monitor quick-release feature
- Cable management system
- Standard Clamp Mount; grommet bolt through available on request
- Available in standard (SD) and heavy duty (HD) for larger monitors

8890MA-SD for 8 - 19½ lb. Screens

List: **445.00**

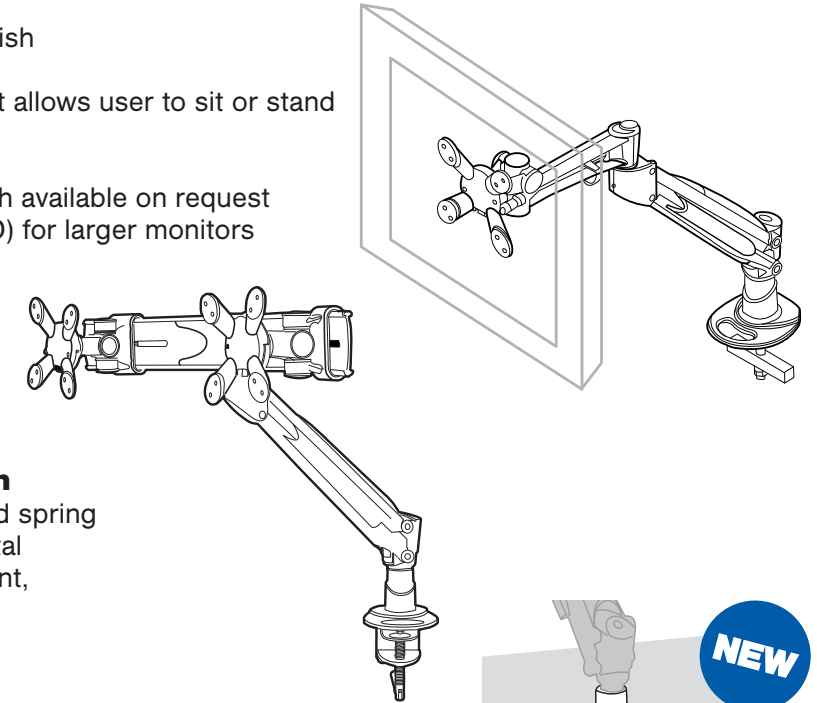
8890MA-HD for 17½ to 33 lb. screens

List: **475.00**

8892MS-HD Dual NOVA Flat Screen Arm

- Heavy Duty Articulating Arm with gas assisted spring
- Holds two 17" or 19" screens, up to 33 lbs. total
- Standard desk clamp, optional grommet mount, please specify

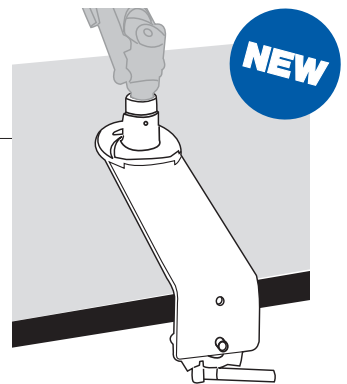
List: **620.00**



DCE: Desk Clamp Extension

- For NOVA and ERGOFlex flatscreen arms only
- Extends stem of monitor arm 9" forward from rear of work surface
- Ideal for deep work surfaces using flat screen monitors
- Call for ordering information

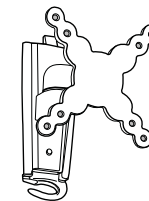
List: **100.00**



8726MA Short Mini FlexArm

- Built in level
- Cable management system
- Extends 2¾" from wall
- VESA compatible

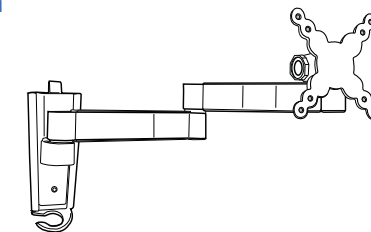
List: **140.00**



8751MA Mini FlexArm

- Built in level
- Cable management system
- Tilt and swivel
- Extends 16½" from wall
- VESA compatible

List: **150.00**



8701MA Deluxe Flex Arm

- Die-cast aluminum in black finish only
- Height and focal distance adjustment
- Extends 23" from mounting point and folds into 3½" of space
- All mounts included: clamp, grommet, wall mount and through desk mount

8701MA-SD for 4 - 14 lb. screens

List: **420.00**

8701MA-HD for 9 - 24 lb. screens

List: **430.00**

