

# ACADEMY

## MONITOR ARM SERIES



Grand Stands

Ergonomic Workstation Solutions

Since 1991 - Pioneers, Designers & Manufacturers of the Finest Custom Ergonomic Solutions

## Ergonomic Design That Makes Working Comfortable

Entry-level monitor arms suffer from screen bounce, limited height range and flimsy construction. Grand Stand's **ACE15** means you don't have to sacrifice quality for price anymore. The **ACE15** is value priced, but durable and beautiful.

The Academy Series introduces industry changing **ONE-WAY Friction Lock Technology**. The **ACE15** features 15" of height range that greatly exceeds the industry standard 10" to 13". Our intelligent engineering provides ease of use and stability when typing.

With no bottom weight load, the **ACE15** supports a monitor from 0 to 20 pounds.

### Features

- 15" Vertical Height Range w/ No Ugly Pole
- Tilt Adjustment, Swivels Portrait to Landscape
- 23.6" Front to Back Distance, Compacts to 4"
- VESA Compliant
- Clamp and Grommet Mount Included
- 0 to 20 Pounds of Supported Weight For Single Monitor
- Very Stable and Limited Bounce When The User is Typing
- Standard Color Silver (-S) Black Available (-B) and White (-W)
- Internal Cable Management
- 10-Year Warranty w/ No Gas Cylinder to Fail
- Easy Installation - Ships Assembled

ACE15-S *Single Monitor Arm (Silver) List Price \$340.00*

ACE15-B *Single Monitor Arm (Black) List Price \$340.00*

ACE15-W *Single Monitor Arm (White) List Price \$340.00*

Available Colors



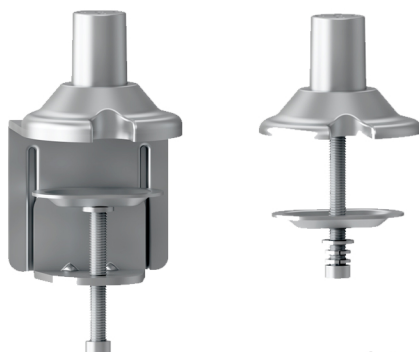
Silver

Black

White

### Mounting Options

Clamp & Grommet Included



[www.grandstands.com](http://www.grandstands.com)



# ACE15

## Monitor Arm System



(800) 831.2150

# ACADEMY

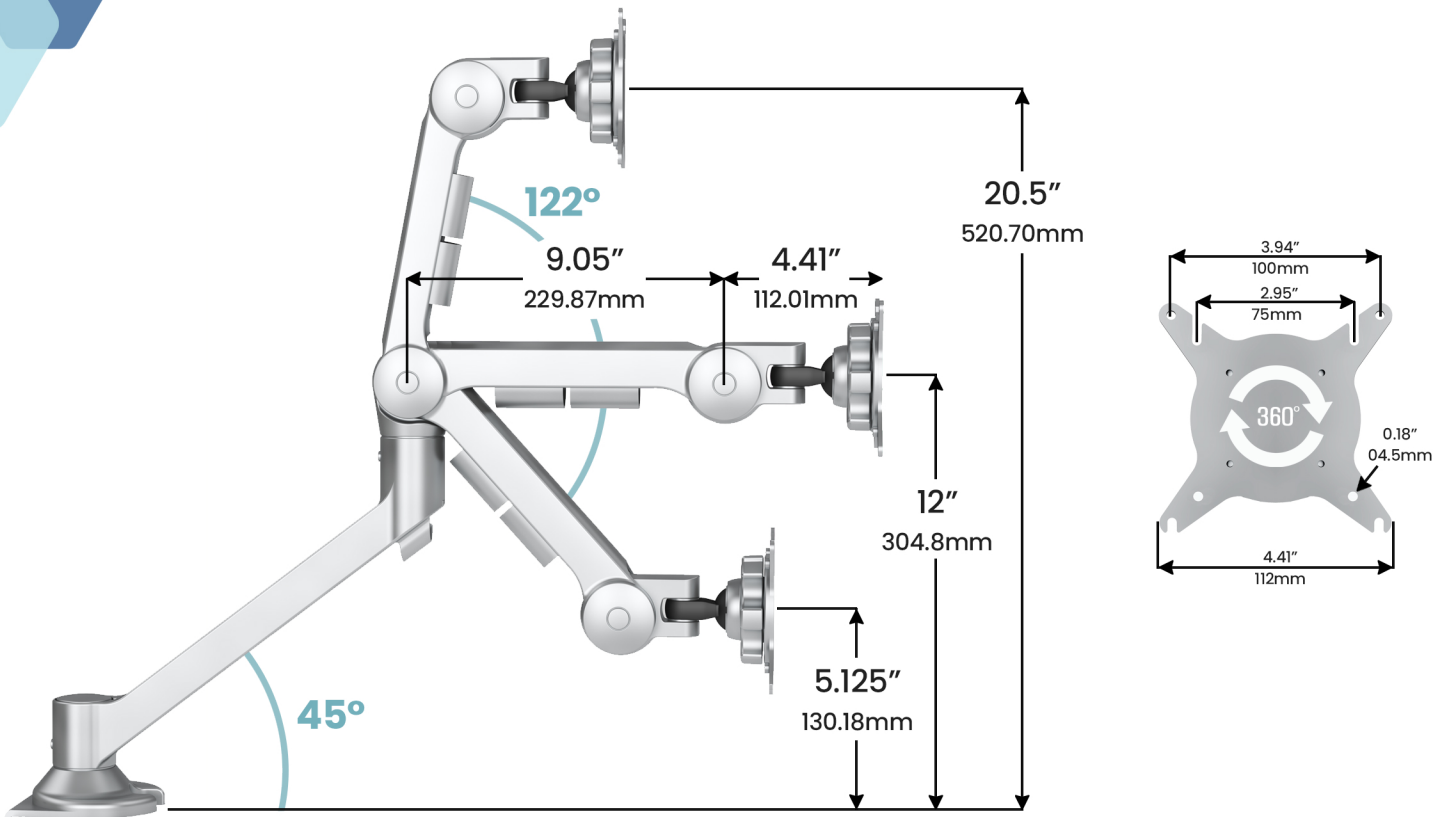
## MONITOR ARM SERIES



Grand Stands

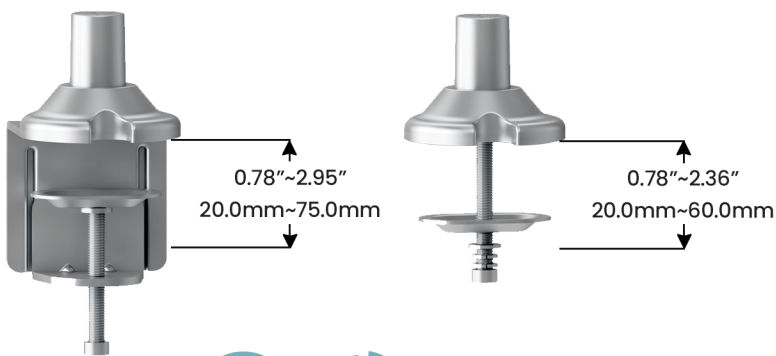
Ergonomic Workstation Solutions

Since 1991 - Pioneers, Designers & Manufacturers of the Finest Custom Ergonomic Solutions



# ACE15

### Mounting Options



- Height Range: 15"
- Maximum Extension From Post: 23.6"
- Depth From Post (Closed): 0"
- Tilt Adjustment:  $\pm 15^\circ$
- Display Pan Swing - Side to Side:  $180^\circ$
- VESA Compatibility: 75x75mm/100x100mm
- Weight Capacity: 0-20 lbs.

