

ACADEMY

MONITOR ARM SERIES



Grand Stands

Ergonomic Workstation Solutions

Since 1991 - Pioneers, Designers & Manufacturers of the Finest Custom Ergonomic Solutions

Ergonomic Design That Makes Working Comfortable

The market is awash in bouncy, flimsy monitor arms that have limited height range and rely on springs or gas cylinders for counter-balance support.

Grand Stands' **ACE20** introduces industry changing **ONE-WAY Friction Lock Technology**. The **ACE20** is a true sit-stand monitor arm with 20" of height range that greatly exceeds the industry standard 10" to 13".

Our patented design provides ease of use and stability when typing. With no bottom weight load, the **ACE20** supports a monitor from 0 to 30 pounds.

Features

- 20" Vertical Height Range
- True Sit to Stand Without Tall Ugly Poles
- Tilt Adjustment, Swivels Portrait to Landscape
- 27.5" Front to Back Distance, Compacts to 4"
- Clamp and Grommet Mount Included
- 0 to 30 Pounds of Supported weight for Single Monitor
- Very Stable and Limited Bounce When The User is Typing
- Standard Color Silver (-S) Black Available (-B)
- Internal Cable Management
- 10-Year Warranty w/ No Gas Cylinder to Fail
- Easy Installation - Ships Assembled



ACE20

ACE20-S

Single Monitor Arm (Silver) List Price \$526.00

ACE20-B

Single Monitor Arm (Black) List Price \$526.00

ACE20-HD-S

Single Monitor Arm (Silver) List Price \$572.00

Available Colors

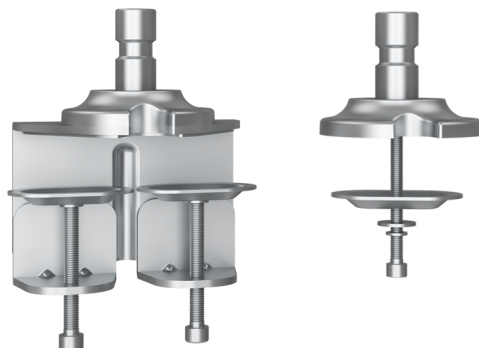


Silver

Black

Mounting Options

Clamp & Grommet Included



Monitor Arm System



GSI-ACE20-01082021

www.grandstands.com



(800) 831.2150

ACADEMY

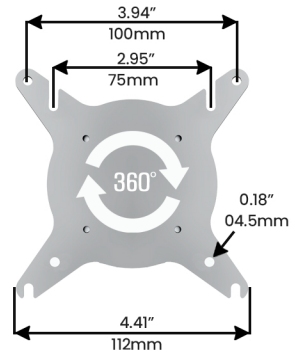
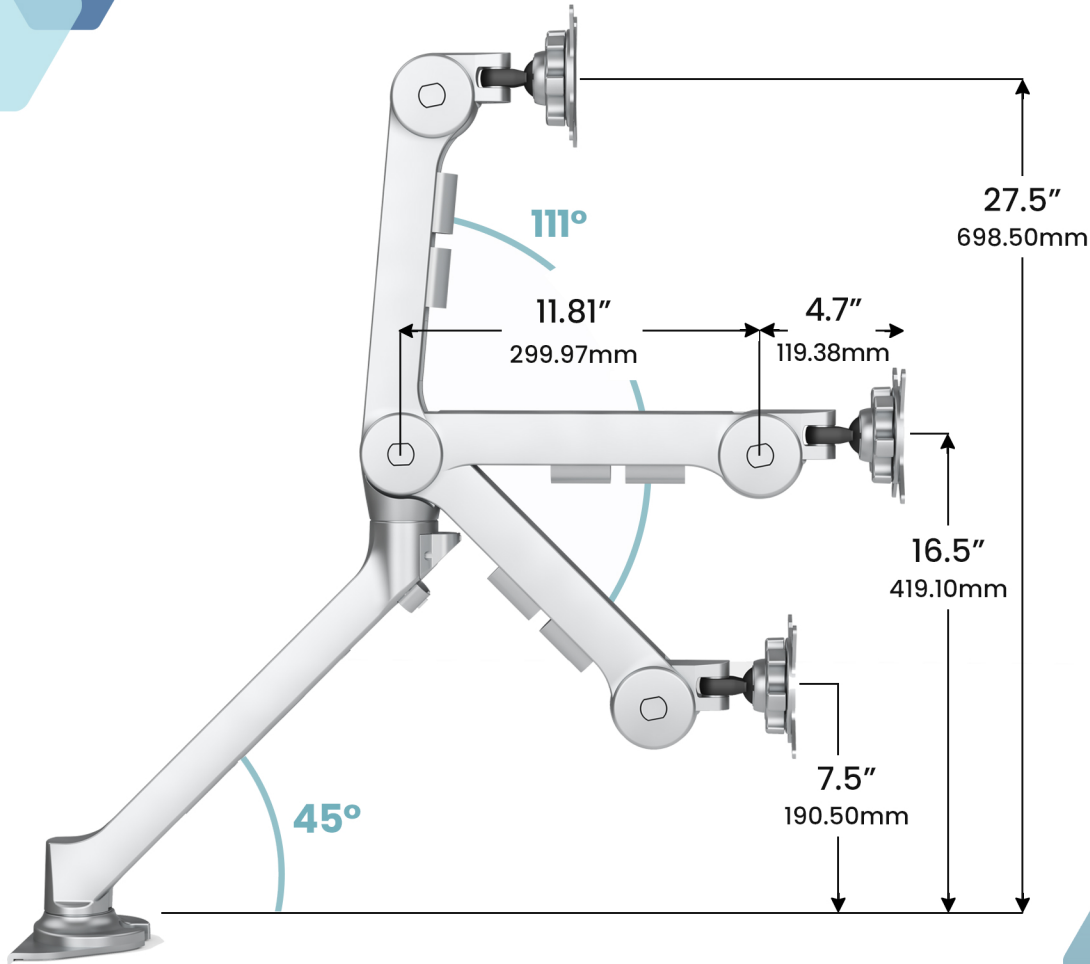
MONITOR ARM SERIES



Grand Stands

Ergonomic Workstation Solutions

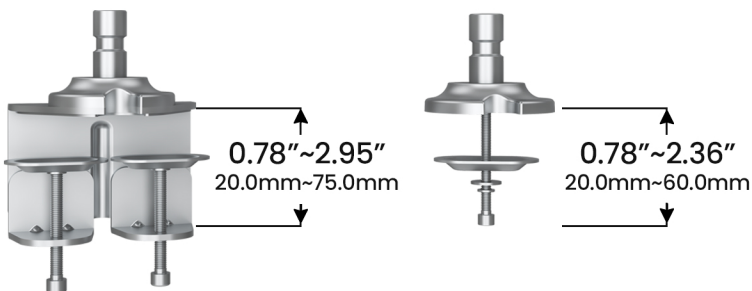
Since 1991 - Pioneers, Designers & Manufacturers of the Finest Custom Ergonomic Solutions



Mounting Options

Clamp & Grommet Included

ACE20



- Height Range: 20"
- Maximum Extension From Post: 27.56"
- Depth From Post (Closed): 0"
- Tilt Adjustment $\pm 15^\circ$
- Display Pan Swing - Side to Side: 180°
- VESA Compatibility: 75x75mm/100x100mm
- Height Range: 20"
- Weight Capacity: 0 - 30 lbs.

